

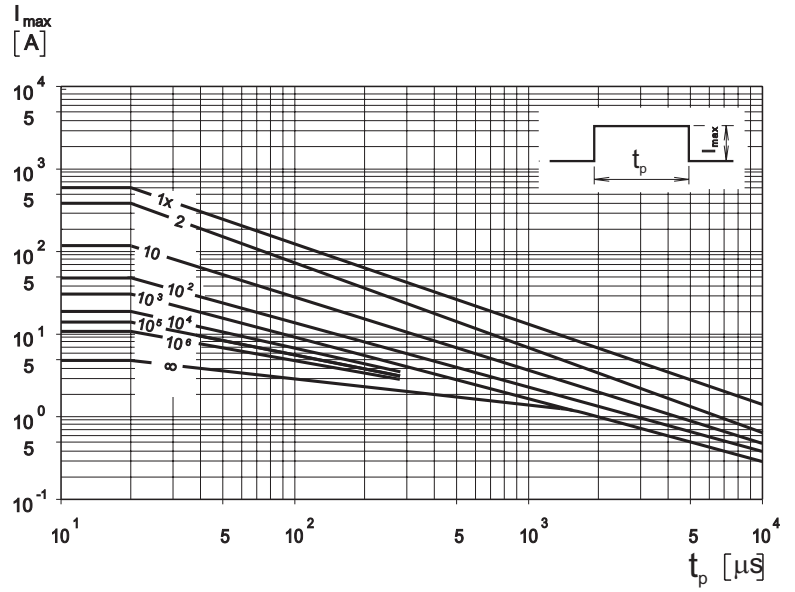
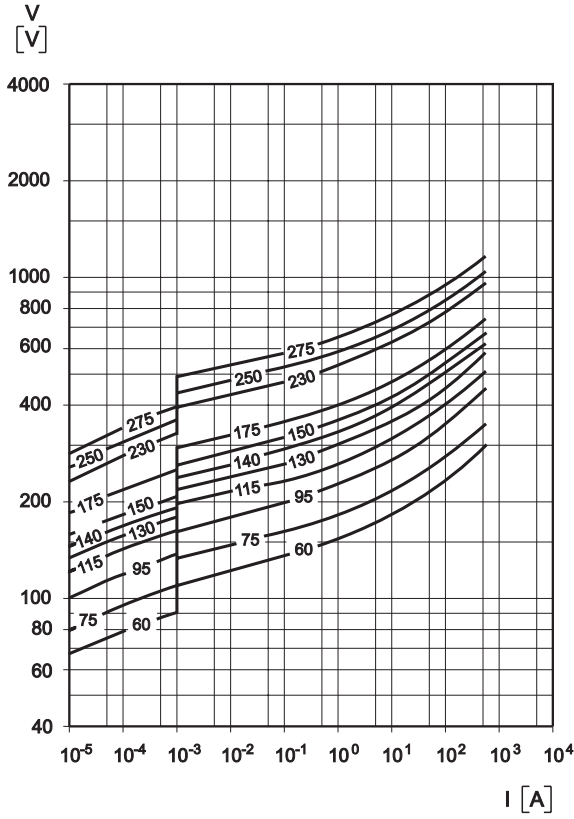
Protection Level

with the worst-case condition in the tolerance region

Pulse Rating Curves

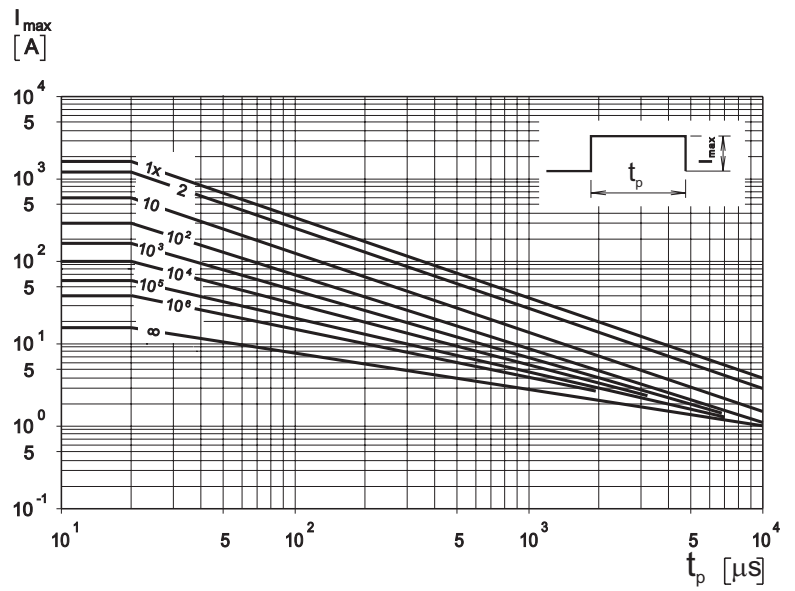
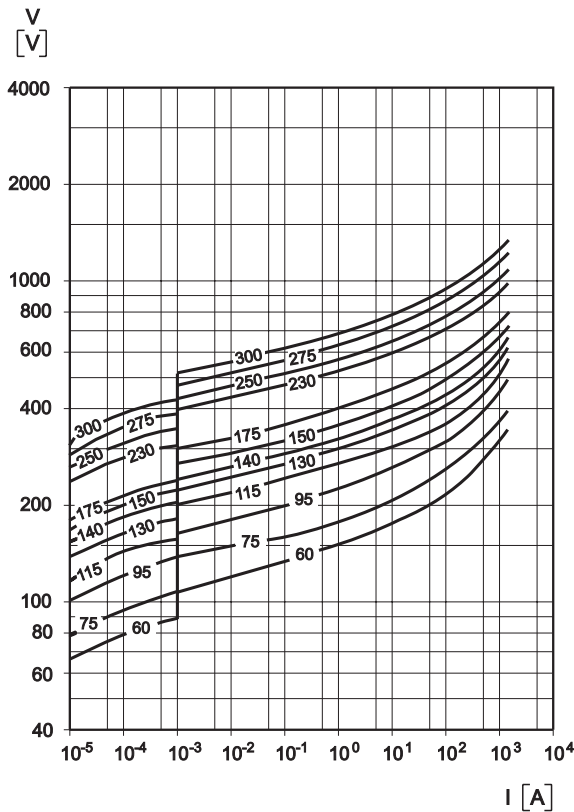
Model Size 5

SV 60...275



Model Size 7

SV 60...300



KEKO VARICON products are sold by description only - product technical specification. KEKO VARICON reserves the right to make changes in circuit design and/or specifications at any time without notice. Accordingly the reader is cautioned to verify that data sheets are current before placing orders. Information furnished by KEKO VARICON is believed to be accurate and reliable. However, no responsibility is assumed by KEKO VARICON for its use; nor for any infringements of patents or other rights of third parties which may result from its use.

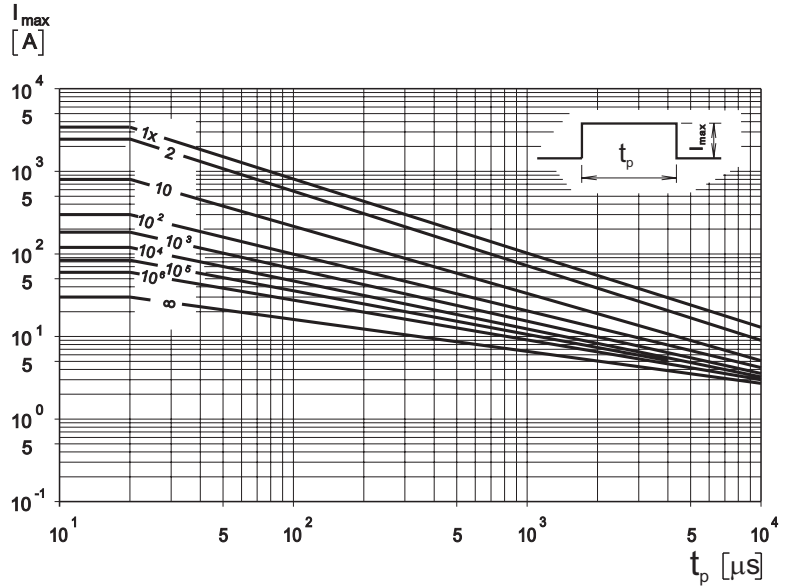
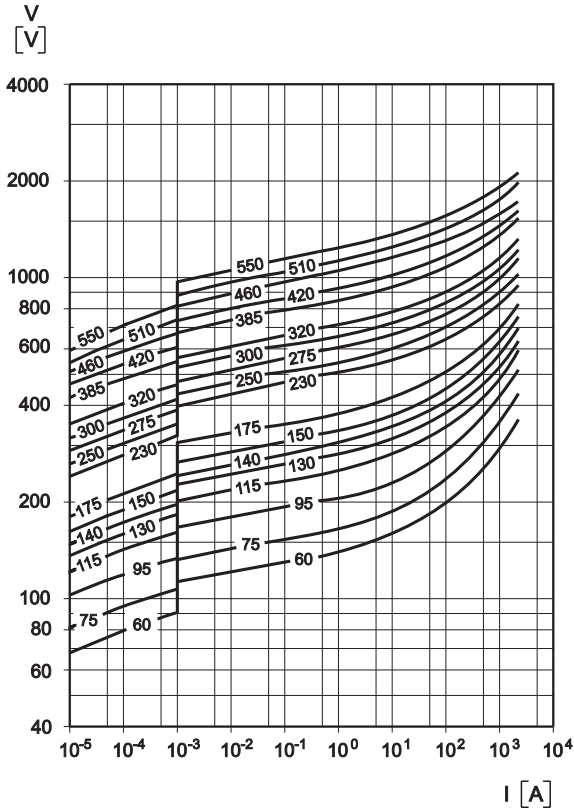
Protection Level

with the worst-case condition in the tolerance region

Pulse Rating Curves

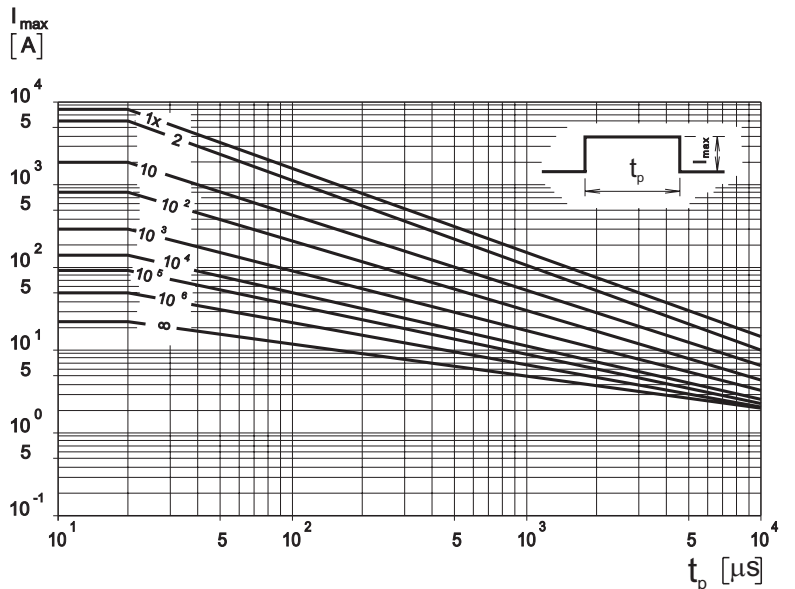
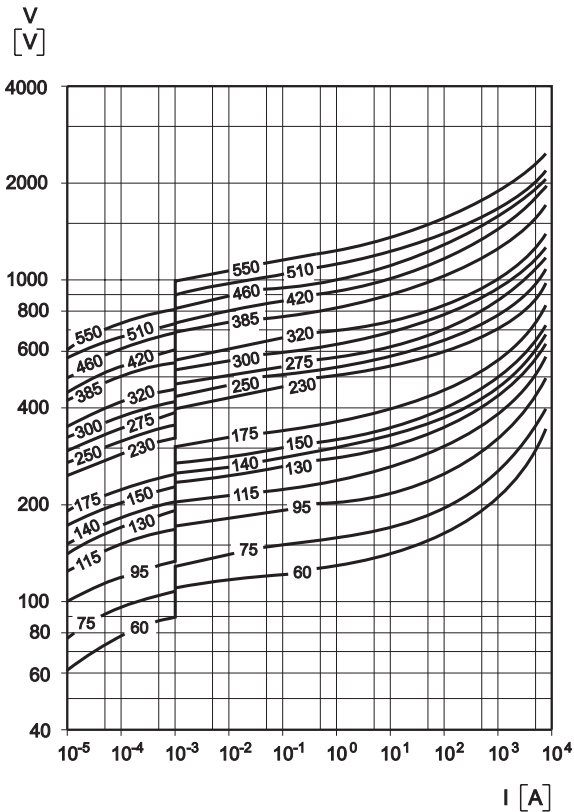
Model Size 10

SV 60...550



Model Size 14

SV 60...550



KEKO VARICON products are sold by description only - product technical specification. KEKO VARICON reserves the right to make changes in circuit design and/or specifications at any time without notice. Accordingly the reader is cautioned to verify that data sheets are current before placing orders. Information furnished by KEKO VARICON is believed to be accurate and reliable. However, no responsibility is assumed by KEKO VARICON for its use; nor for any infringements of patents or other rights of third parties which may result from its use.

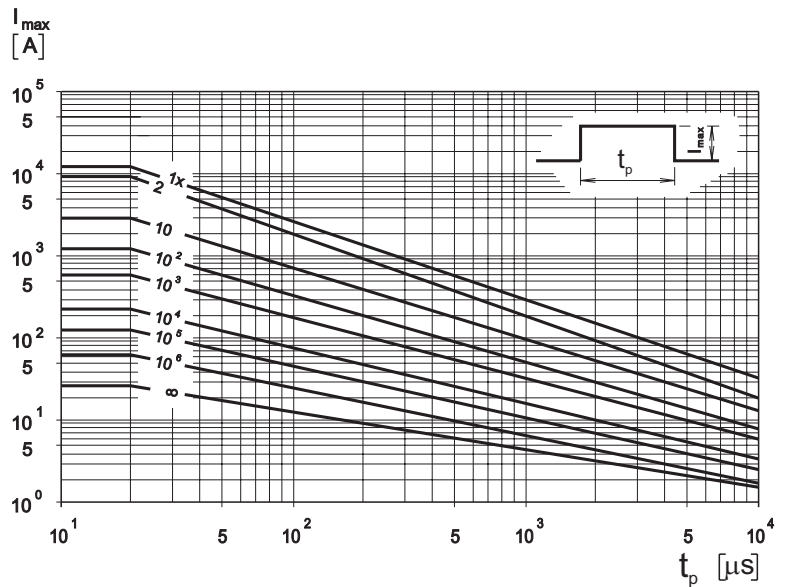
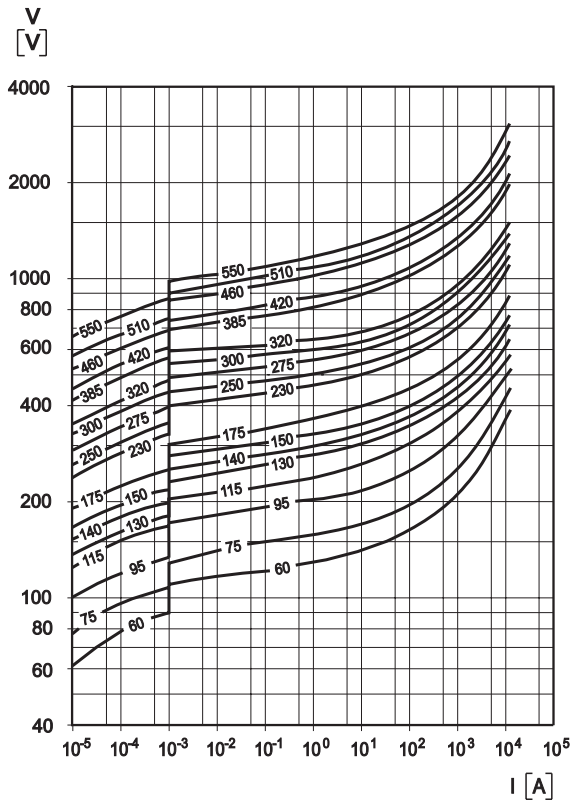
Protection Level

with the worst-case condition in the tolerance region

Pulse Rating Curves

Model Size 20

SV 60...550



Model Size 23

SV 130...550

