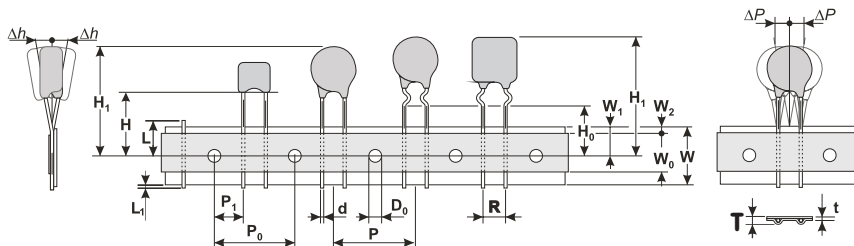
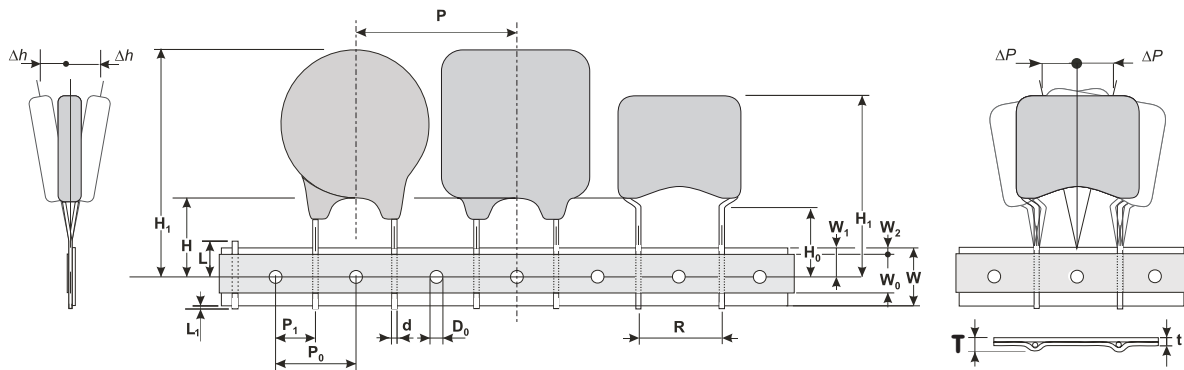


Tape & Reel Specification

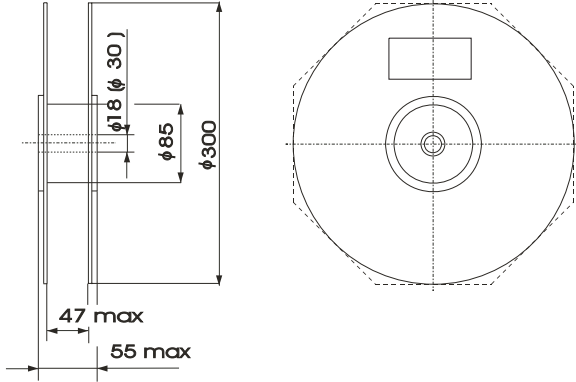
Conforms to IEC Publication 286-2 Ed.3 : 2008-03


R = 5 mm

R = 7.5 mm, 10 mm

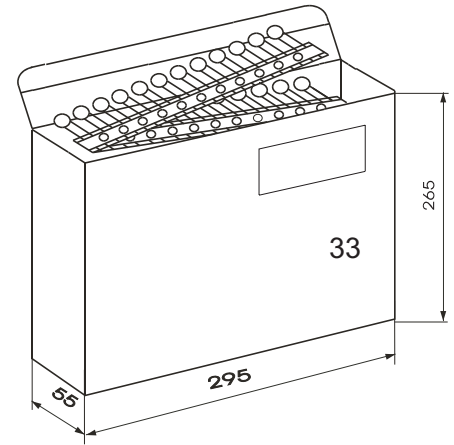
Symbol	Parameter	Model Size				
		φ 5	φ 7	φ 10	φ 14	φ 20, 40
		602 / 802 / 902			1103	
Dimension (mm)						
W	Carrier tape width	18 +1.0/-0.5	18 +1.0/-0.5	18 +1.0/-0.5	18 +1.0/-0.5	18 +1.0/-0.5
W₀	Hold down tape width	5 min	5 min	5 min	5 min	5 min
W₁	Sprocket hole position	9 +0.75/-0.5	9 +0.75/-0.5	9 +0.75/-0.5	9 +0.75/-0.5	9 +0.75/-0.5
W₂	Distance between the upper edges of the carrier tape and hold-down tape	3 max	3 max	3 max	3 max	3 max
T	Total tape thickness	1,5 Max	1,5 max	1,7 max	1,7 max	1,9 max
t	Tape thickness	0,9 Max	0,9 Max	0,9 Max	0,9 Max	0,9 Max
P	Pitch of component	12.7 ± 1.0	12.7 ± 1.0	25.4 ± 1.0	25.4 ± 1.0	25.4 ± 1.0
P₀	Feed hole pitch	12.7 ± 0.3	12.7 ± 0.3	12.7 ± 0.3	12.7 ± 0.3	12.7 ± 0.3
P₁	Feed hole center to pitch	3.85 ± 0.7	3.85 ± 0.7	8.95 ± 0.7	8.95 ± 0.7	7.7 ± 0.7
R	Lead Spacing	5 +0.5/-0.2	5 +0.5/-0.2	7.5 +0.5/-0.2	7.5 +0.5/-0.2	10 +0.5/-0.2
ΔP	Component alignment	± 1.3 max	± 1.3 max	± 1.3 max	± 1.3 max	± 1.3 max
Δh	Component alignment	± 2 max	± 2 max	± 2 max	± 2 max	± 2 max
d	Wire diameter	0.6 max	0.6 max	0.8 max	0.8 max	1 max
D₀	Feed hole diameter	4 ± 0.2	4 ± 0.2	4 ± 0.2	4 ± 0.2	4 ± 0.2
H	Height from tape center to comp. base	18 +2.0/-0.0	18 +2.0/-0.0	18 +2.0/-0.0	18 +2.0/-0.0	18 +2.0/-0.0
H₀	Seating plane height	16 ± 0.5	16 ± 0.5	16 ± 0.5	16 ± 0.5	16 ± 0.5
H₁	Component height	32.2 max	32.2 max	46.5 max	46.5 max	46.5 max
L	Protrusion - cut out	11 max	11 max	11 max	11 max	11 max
L₁	Protrusion - cut off	0.5 max	0.5 max	0.5 max	0.5 max	0.5 max

Packaging

Reel



Ammo pack



Package units

Bulk

V	5				7				10				14				20				23		
	ZV	AV/602	SV	CV/CV+	ZV	AV/802	SV	CV/CV+	ZV	AV/902	SV	CV/CV+	ZV	AV/1103	SV	CV/CV+	ZV	AV 20	AV 40	SV	CV/CV+	SV	CV/CV+
2	1500				1500				1500				1000				1000						
4	1500				1500				1500				1000				1000						
6	1500				1500				1500				1000				1000						
8	1500				1500				1500				1000				1000						
11	1500			1500	1500			1500	1500				1000				1000						
14	1500	1500		1500	1500	1500		1500	1500	1000		600	1000	800			1000						
17	1500	1500		1500	1500	1500		1500	1500	1000		600	1000	800			1000						
20	1500	1500		1500	1500	1500		1500	1500	1000		600	1000	800			1000						
25	1500	1500		1500	1500	1500		1500	1500	1000		600	1000				1000	300	300				
30	1500	1500		1500	1500	1500		1500	1500	1000		600	1000				1000	300	300				
35	1500	1500		1500	1500	1500		1500	1500	1000		600	1000				1000	300	300				
40	1500	1500		1500	1500	1500		1500	1500	1000		600	1000				1000	300	300				
50				1500				1500				600				400						300	
60			1300	1500			1000	1500			500	600			400	400				250	300		
75			1300	1500			1000	1500			500	600			400	400				250	300		
95			1300	1500			900	1000			500	600			400	400				250	300		
115			1300	1500			900	1000			400	500			400	400				250	300		
130			1300	1500			900	1000			400	500			400	400				250	300	150	250
140			1300	1500			900	1000			400	500			400	400				250	300	150	250
150			1300	1500			900	1000			400	500			400	400				250	300	150	250
175			1300	1500			900	1000			400	500			400	400				250	300	150	250
230			900	1000			900	1000			400	500			250	300				250	200	150	150
250			900	1000			900	1000			400	500			250	300				250	200	150	150
275			900	1000			900	1000			400	500			250	300				250	200	150	150
300				1000			900	1000			400	500			250	300				150	200	100	150
320											400	500			250	300				150	200	100	150
385											300	400			250	300				150	200	100	150
420											300	400			250	300				150	200	100	150
460											300	400			250	300				150	200	100	150
510											300	400			250	300				150	200	100	150
550*											300	400			250	300				150	200	100	150

* For voltages to 680 - same as for 550.

Package units
Reel

V	5				7				10				14				20					
	ZV	AV/602	SV	CV/CV+	ZV	AV/802	SV	CV/CV+	ZV	AV/902	SV	CV/CV+	ZV	AV/1103	SV	CV/CV+	ZV	AV 20	AV 40	SV	CV/CV+	
2	1500				1500				1500				1500				1500					
4	1500				1500				1500				1500				1500					
6	1500				1500				1500				1500				1500					
8	1500				1500				1500				1500				1500					
11	1500			1800	1500			1500	1500				1500				1500					
14	1500	1500		1800	1500	1500		1500	1500	1500		1300	1500	1300			1500					
17	1500	1500		1800	1500	1500		1500	1500	1300		1300	1500	1300			1500					
20	1500	1500		1500	1500	1500		1500	1500	1300		1300	1500	1300			1500					
25	1500	1300		1500	1500	1300		1500	1500	1300		1300	1500				1500	500	400			
30	1500	1300		1500	1500	1300		1500	1500	1300		1300	1500				1500	500	400			
35	1500	1300		1500	1500	1300		1500	1500	1300		1300	1500				1500	500	400			
40	1500	1300		1500	1500	1300		1500	1500	1300		1300	1500				1500	500	400			
50				1500				1500				1300				700						600
60			1500	1500			1500	1500		1300	1300			600	700					600	600	
75			1300	1500			1300	1500		1300	1300			600	700					600	600	
95			1300	1500			1300	1500		1200	1300			600	600					500	600	
115			1300	1300			1300	1300		1200	1000			500	600					500	500	
130			1300	1300			1300	1300		1200	1000			500	600					500	500	
140			1300	1200			1300	1200		1200	1000			500	600					500	500	
150			1200	1200			1200	1200		1000	1000			500	600					500	500	
175			1200	1200			1200	1200		1000	1000			500	500					500	500	
230			1000	1000			1000	1000		1000	1000			500	500					500	400	
250			1000	1000			1000	1000		900	800			400	400					400	400	
275			1000	1000			1000	1000		900	800			400	400					400	400	
300				900			900	900		800	800			400	400					400	400	
320										800	800			400	400					300	300	
385										700	700			300	400					300	300	
420										700	700			300	300					300	300	
460										600	600			300	300					300	300	
510										600	600			300	300					300	300	
550*										600	600			300	300					300	300	

* For voltages to 680 - same as for 550.

Ammo

V	5				7				10				14				20					
	ZV	AV/602	SV	CV/CV+	ZV	AV/802	SV	CV/CV+	ZV	AV/902	SV	CV/CV+	ZV	AV/1103	SV	CV/CV+	ZV	AV 20	AV 40	SV	CV/CV+	
2	2000				2000				2000				2000				2000					
4	2000				2000				2000				2000				2000					
6	2000				2000				2000				2000				2000					
8	2000				2000				2000				2000				2000					
11	2000			2000	2000			2000	2000				2000				2000					
14	2000	2000		2000	2000	2000		2000	2000	1800		1800	2000	1500			2000					
17	2000	2000		2000	2000	2000		2000	2000	1800		1800	2000	1800			2000					
20	1800	2000		2000	1800	2000		2000	1800	1800		1800	1800	1800			1800					
25	1800	1800		2000	1800	1800		2000	1800	1800		1800	1800				1800	600	400			
30	1800	1800		2000	1800	1800		2000	1800	1800		1500	1800				1800	600	400			
35	1800	1800		2000	1800	1800		2000	1800	1800		1500	1800				1800	600	400			
40	1800	1800		1800	1800	1800		1800	1800	1800		1500	1800				1800	600	400			
50				2000				2000				1800				800						700
60			1800	2000			1800	2000		1600	1600			800	800					700	700	
75			1800	2000			1800	1800		1600	1600			800	800					700	700	
95			1600	1800			1600	1800		1500	1600			700	700					700	700	
115			1600	1600			1600	1600		1300	1500			700	700					600	600	
130			1600	1600			1600	1600		1300	1300			700	700					600	600	
140			1600	1600			1600	1600		1300	1300			700	700					600	600	
150			1500	1500			1500	1500		1300	1300			700	700					600	600	
175			1500	1500			1500	1500		1300	1300			600	600					600	600	
230			1200	1200			1200	1200		1200	1200			600	600					500	500	
250			1200	1200			1200	1200		1000	1000			500	500					500	500	
275			1200	1200			1200	1200		1000	1000			500	500					500	500	
300				1000			1000	1000		1000	1000			500	500					500	500	
320										1000	1000			500	500					400	400	
385										900	900			400	400					400	400	
420										900	800			400	400					400	400	
460										800	800			400	400					400	400	
510										800	800			400	400					300	400	
550*										700	700			300	400					300	400	

* For voltages to 680 - same as for 550.

KEKO VARICON products are sold by description only - product technical specification. KEKO VARICON reserves the right to make changes in circuit design and/or specifications at any time without notice. Accordingly the reader is cautioned to verify that data sheets are current before placing orders. Information furnished by KEKO VARICON is believed to be accurate and reliable. However, no responsibility is assumed by KEKO VARICON for its use; nor for any infringements of patents or other rights of third parties which may result from its use.