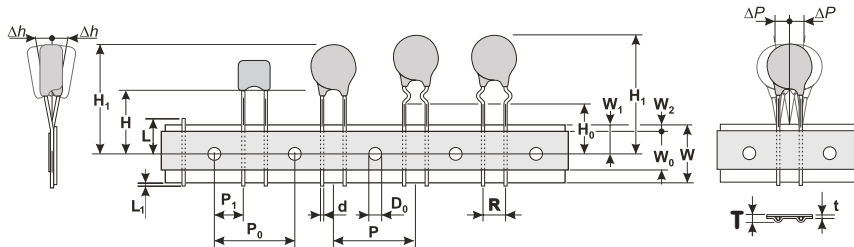
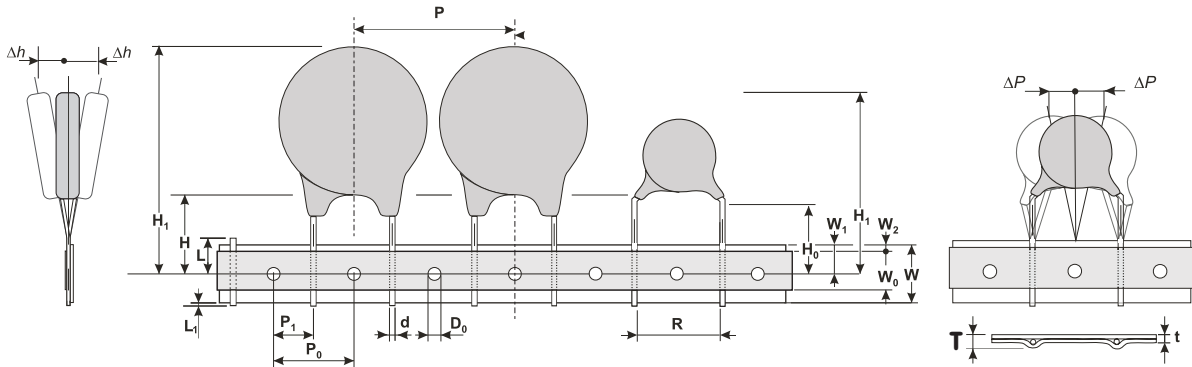


**Tape & Reel Specification**

Conforms to IEC Publication 286-2 Ed.3 : 2008-03



**R = 5 mm**



**R = 7.5 mm, 10 mm**

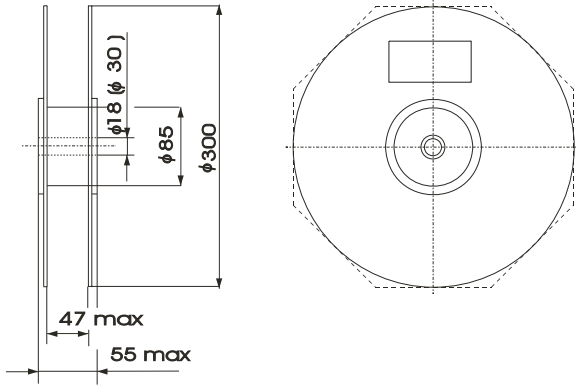
Symbol	Parameter	Model Size		
		R = 5 mm	R = 7.5 mm	R = 10 mm
		Dimension (mm)		
<b>W</b>	Carrier tape width	18 +1.0/-0.5	18 +1.0/-0.5	18 +1.0/-0.5
<b>W<sub>0</sub></b>	Hold down tape width	5 min	5 min	5 min
<b>W<sub>1</sub></b>	Sprocket hole position	9 +0.75/-0.5	9 +0.75/-0.5	9 +0.75/-0.5
<b>W<sub>2</sub></b>	Distance between the upper edges of the carrier tape and hold-down tape	3 max	3 max	3 max
<b>T</b>	Total tape thickness	1,5 Max	1,7 max	1,9 max
<b>t</b>	Tape thickness	0,9 Max	0,9 Max	0,9 Max
<b>P</b>	Pitch of component	12.7 ± 1.0	25.4 ± 1.0*	25.4 ± 1.0
<b>P<sub>0</sub></b>	Feed hole pitch	12.7 ± 0.3	12.7 ± 0.3	12.7 ± 0.3
<b>P<sub>1</sub></b>	Feed hole center to pitch	3.85 ± 0.7	8.95 ± 0.7	7.7 ± 0.7
<b>R</b>	Lead Spacing	5 +0.5/-0.2	7.5 +0.5/-0.2	10 +0.5/-0.2
<b>ΔP</b>	Component alignment	± 1.3 max	± 1.3 max	± 1.3 max
<b>Δh</b>	Component alignment	± 2 max	± 2 max	± 2 max
<b>d</b>	Wire diameter	0.6 max	0.8 max	1 max
<b>D<sub>0</sub></b>	Feed hole diameter	4 ± 0.2	4 ± 0.2	4 ± 0.2
<b>H</b>	Height from tape center to comp. base	18 +2.0/-0.0	18 +2.0/-0.0	18 +2.0/-0.0
<b>H<sub>0</sub></b>	Seating plane height	16 ± 0.5	16 ± 0.5	16 ± 0.5
<b>H<sub>1</sub></b>	Component height	32.2 max	46.5 max	46.5 max
<b>L</b>	Protrusion - cut out	11 max	11 max	11 max
<b>L<sub>1</sub></b>	Protrusion - cut off	0.5 max	0.5 max	0.5 max

\* - P = 12,7 mm ± 1.0 for KM 3,3 nF to 6,8 nF

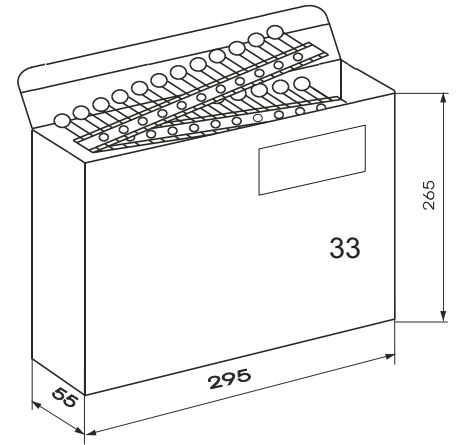
\* - P = 12,7 mm ± 1.0 for KZL 330 pF to 2,2 nF

**Packaging**

**Reel**



**Ammo pack**



**Package units**

C (pF)	Bulk			Reel			Ammo		
	KM-Y2	KZL-X1/Y2	KZH-X1/Y1	KM-Y2	KZL-X1/Y2	KZH-X1/Y1	KM-Y2	KZL-X1/Y2	KZH-X1/Y1
330		1500	1500		1300	600		1600	1000
470		1500	1500		1300	600		1600	1000
680		1500	1500		1300	600		1600	1000
1000	1500	1500	1000	1500	1200	600	1800	1400	1000
1500	1000	1000	1000	1500	1200	600	1800	1400	1000
1800	1000	1000	1000	1500	1200	600	1800	1400	1000
2200	1000	1000	1000	1500	1200	600	1800	1400	1000
2500	1000	1000	1000	1500	1200	600	1800	1400	1000
3300	600	500	1000	1200	600	500	1500	700	1000
3900	600	500	500	1200	600	500	1500	700	600
4700	600	500	500	1200	600	500	1500	700	600
5000	600			1200			1500		
6800	600			600			700		
8200	300			600			700		
10000	300			600			700		

C (pF)	Bulk			Reel			Ammo		
	KV - 2kV	KV - 4kV	KV - 6kV	KV - 2kV	KV - 4kV	KV - 6kV	KV - 2kV	KV - 4kV	KV - 6kV
330		1500	1500		1300	600		1600	1000
470		1500	1500		1300	600		1600	1000
680		1500	1500		1300	600		1600	1000
1000	1500	1500	1000	1500	1200	600	1800	1400	1000
1500	1000	1000	1000	1500	1200	600	1800	1400	1000
1800	1000	1000	1000	1500	1200	600	1800	1400	1000
2200	1000	1000	1000	1500	1200	600	1800	1400	1000
2500	1000	1000	1000	1500	1200	600	1800	1400	1000
3300	600	500	1000	1200	600	500	1500	700	1000
3900	600	500	500	1200	600	500	1500	700	600
4700	600	500	500	1200	600	500	1500	700	600
5000	600			1200			1500		
6800	600			600			700		
8200	300			600			700		
10000	300			600			700		