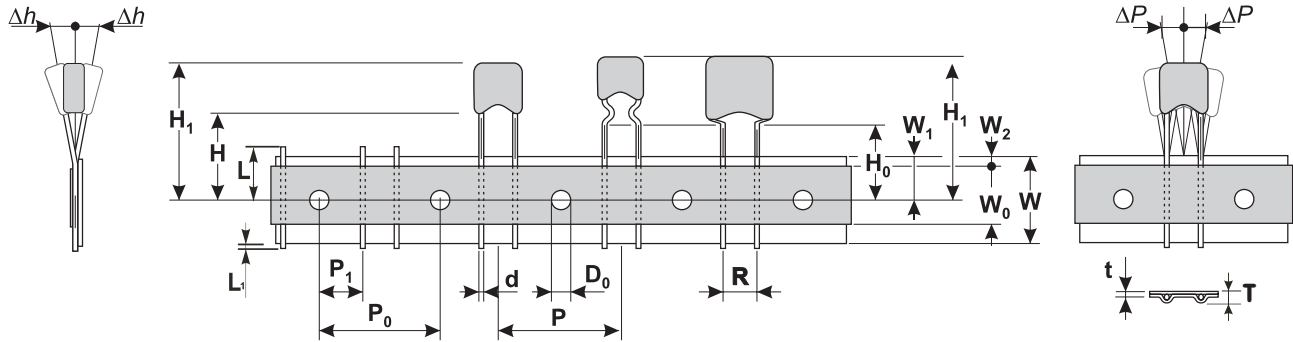


# Tape & Reel Specification

Conforms to IEC Publication 286-2 Ed.3 : 2008-03

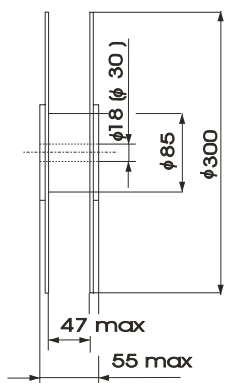


Symbol	Parameter	Dimension (mm)
<b>W</b>	Carrier tape width	18 +1.0/-0.5
<b>W<sub>o</sub></b>	Hold down tape width	5 min
<b>W<sub>1</sub></b>	Sprocket hole position	9 +0.75/-0.5
<b>W<sub>2</sub></b>	Distance between the upper edges of the carrier tape and hold-down tape	3 max
<b>T</b>	Total tape thickness	1,5 Max
<b>t</b>	Tape thickness	0,9 Max
<b>P</b>	Pitch of component	12.7 ± 1.0
<b>P<sub>o</sub></b>	Feed hole pitch	12.7 ± 0.3
<b>P<sub>1</sub></b>	Feed hole center to pitch	3.85 ± 0.7
<b>R</b>	Lead Spacing	5 +0.5/-0.2
<b>ΔP</b>	Component alignment	± 1.3 max
<b>Δh</b>	Component alignment	± 2 max
<b>d</b>	Wire diameter	0.6 max
<b>D<sub>o</sub></b>	Feed hole diameter	4 ± 0.2
<b>H</b>	Height from tape center to comp. base	18 +2.0/-0.0
<b>H<sub>o</sub></b>	Seating plane height	16 ± 0.5
<b>H<sub>1</sub></b>	Component height	32.2 max
<b>L</b>	Protrusion - cut out	11 max
<b>L<sub>1</sub></b>	Protrusion - cut off	0.5 max

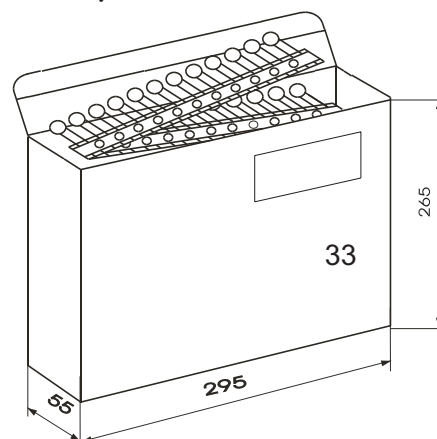
\* - given label is only for products with R=5mm, for other Lead Spacing dimensions please contact the factory for data.

## Packaging

### Reel



### Ammo pack



### Unit Package\*

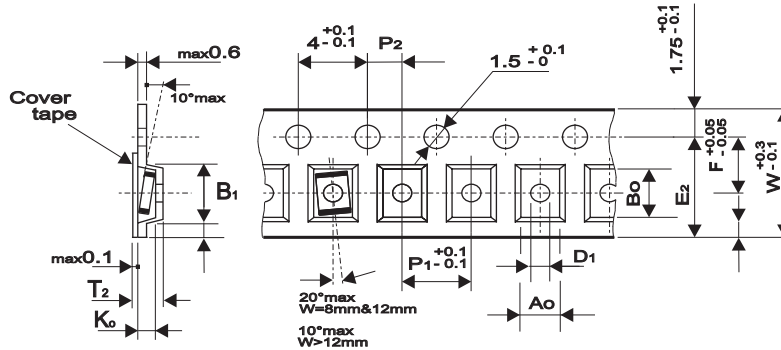
Series	B	R	A
<b>MV</b>	1500	1500	1500
<b>OV</b>	1000	1000	1000

\* - given package units are only for orientation; contact the factory for any concrete data

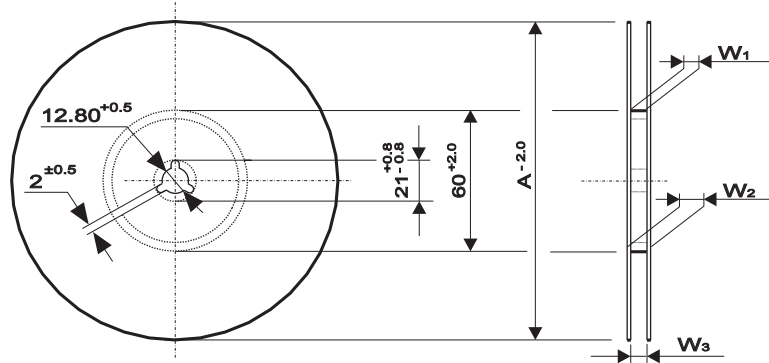
# Tape and Reel Specification

Conforms to IEC Publication 286 - 3 Ed.4 : 2007-06

## Tape



## Reel



### Variable dimensions

Tape Size		8 mm				12 mm		16 mm	
Size	Units	0603	0805	1206	1210	1812	2220	3225	4032
Ao	(mm)	1,2	1,6	1,9	2,9	3,75	5,6	7	8,6
Bo	(mm)	1,9	2,4	3,75	3,7	5	6,25	8,7	10,8
Ko max	(mm)	*	*	*	*	*	*	*	*
B1 max	(mm)	4,35	4,35	4,35	4,35	8,2	8,2	12,1	12,1
D1 min	(mm)	0,3	0,3	0,3	0,3	1,5	1,5	1,5	1,5
E2 min	(mm)	6,25	6,25	6,25	6,25	10,25	10,25	14,25	14,25
P1	(mm)	4	4	4	4	8	8	12	12
F	(mm)	3,5	3,5	3,5	3,5	5,5	5,5	7,5	7,5
W	(mm)	8,0	8,0	8,0	8,0	12,0	12,0	16,0	16,0
T2 max	(mm)	**	**	**	**	**	**	**	**
W1	(mm)	8,4+1,5	8,4+1,5	8,4+1,5	8,4+1,5	12,4+2	12,4+2	16,4+2	16,4+2
W2 max	(mm)	14,4	14,4	14,4	14,4	18,4	18,4	22,4	22,4
W3	(mm)	7,9...10,9	7,9...10,9	7,9...10,9	7,9...10,9	11,9...15,4	11,9...15,4	15,9...19,4	15,9...19,4
A	(mm)	180/330	180/330	180/330	180/330	180/330	180/330	330	330

\*,\*\* - the values for this parameter are depended on capacitance values. For detail information and technical data please contact the factory.

### Package units

Series	Voltage range (V)	Chip Size															
		0603		0805		1206		1210		1812		2220		3225		4032	
		Reel size		Reel size		Reel size		Reel size		Reel size		Reel size		Reel size		Reel size	
OV	all	180	330	180	330	180	330	180	330	180	330	180	330	330	330	330	330
MV	all	***	***	***	***	***	***	***	***	***	***	***	***	***	***	***	***

\*\*\* - the values are depended on varicons dimensions(parameter K0 and T2). For detail information and technical data please contact the factory.